

Fixings for 13mm Board

2 No. 10mm X No.8 S/S Undercut Woodscrews

Fixings for 20mm Board

2 No. 16mm X No.8 S/S Undercut Woodscrews

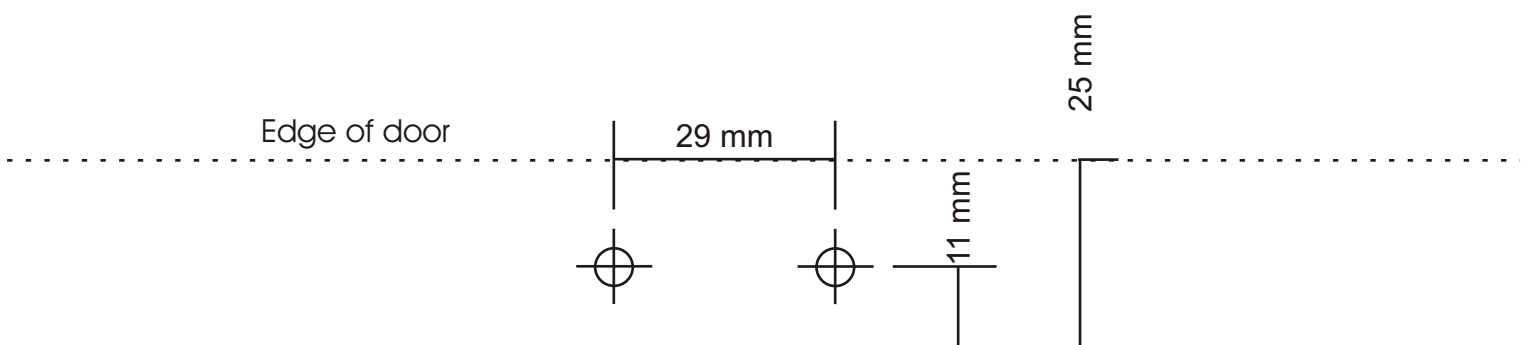
1. Pilot holes as template.
2. Screw keep to pilaster with suitable screws.
3. Fit 10mm Buffers 12mm from edge of pilaster.

Template for T271

NOTE

Please check dimensions as shown on template as some printers stretch or shrink the template.

Place keep in position and check clearance **before** drilling pilot holes as any adjustment due to differing site dimensions and door overlap will need to be taken up here.



Fold to edge of pilaster